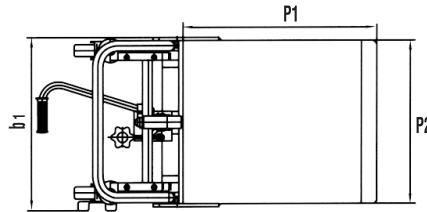
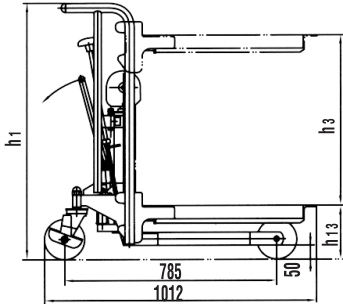


**İSTİF MAKİNESİ Mini / PLATFORM STACKER****NL-MMS 0485****NL-MMS 0412****NL-MMS 0415**

<b>Kaldırma kapasitesi / Capacity</b>	<b>400</b>	<b>400</b>	<b>400</b>	kg
<b>Makine yüksekliği / Max. height (<math>h_1</math>)</b>	<b>980</b>	<b>1330</b>	<b>1630</b>	mm
<b>Kaldırma yüksekliği / Lifting height (<math>h_3 + h_{13}</math>)</b>	<b>850</b>	<b>1200</b>	<b>1500</b>	mm
<b>Min. platform yüks. / Min. platform height (<math>h_{13}</math>)</b>	<b>200</b>	<b>200</b>	<b>200</b>	mm
<b>Maksimum genişlik / Max. width (<math>b_1</math>)</b>	<b>590</b>	<b>590</b>	<b>590</b>	mm
<b>Platform uzunluğu / Platform length (<math>p_1</math>)</b>	<b>650</b>	<b>650</b>	<b>650</b>	mm
<b>Platform genişliği / Platform width (<math>p_2</math>)</b>	<b>550</b>	<b>550</b>	<b>550</b>	mm
<b>Yön tekerleği / Rear roller</b>	<b>150 x 40</b>	<b>150 x 40</b>	<b>150 x 40</b>	mm
<b>Yük tekerleği / Load roller</b>	<b>150 x 45</b>	<b>150 x 45</b>	<b>150 x 45</b>	mm
<b>Ağırlık / Weight</b>	<b>70</b>	<b>76</b>	<b>86</b>	kg



Art.No. 51000001

**NL-MMS 0485**

Art.No. 51000002

**NL-MMS 0412**

Art.No. 51000003

**NL-MMS 0415****PLATFORMLU**