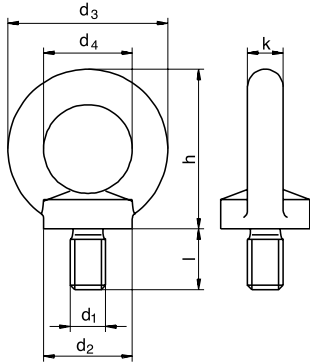




Galvaniz Erkek Mapa - DIN580



Art.No.	Ölçüler (mm)									Ağırlık (kg)
	d1	d2	d3	d4	h	k	l	WLL (t)	WLL (t)	
1392 61 06	M6	20	36	20	36,0	8	13,0	0,100	0,140	0,05
1392 61 08	M8	20	36	20	36,0	8	13,0	0,100	0,140	0,06
1392 61 10	M10	25	45	25	45,0	10	17,0	0,170	0,230	0,11
1392 61 12	M12	30	54	30	53,0	12	20,5	0,240	0,360	0,18
1392 61 14	M14	35	63	35	62,0	14	27,0	0,240	0,340	0,28
1392 61 16	M16	35	63	35	62,0	14	27,0	0,500	0,700	0,28
1392 61 18	M18	40	72	40	71,0	16	30,0	0,500	0,500	0,45
1392 61 20	M20	40	72	40	71,0	16	30,0	0,860	1,200	0,45
1392 61 22	M22	45	81	45	80,5	18	35,0	0,860	1,200	0,67
1392 61 24	M24	50	90	50	90,0	20	36,0	1,290	1,800	0,87
1392 61 27	M27	55	96	50	97,0	20	39,0	2,300	3,200	0,88
1392 61 30	M30	65	108	60	109,0	24	45,0	2,300	3,200	1,66
1392 61 33	M33	65	108	60	109,0	24	45,0	2,300	3,200	1,66
1392 61 36	M36	75	126	70	128,0	28	54,0	3,300	4,600	2,65
1392 61 39	M39	85	144	80	147,0	32	63,0	3,300	4,600	4,03
1392 61 42	M42	85	144	80	147,0	32	63,0	4,500	6,300	4,03
1392 61 45	M45	100	166	90	168,0	38	68,0	4,500	6,300	6,38
1392 61 48	M48	100	166	90	168,0	38	68,0	6,100	8,600	6,38
1392 61 52	M52	110	184	100	187,0	42	78,0	6,100	8,600	8,80
1392 61 56	M56	110	184	100	187,0	42	78,0	8,200	11,500	8,80
1392 61 64	M64	120	206	110	208,0	48	90,0	11,000	16,000	12,40
1392 61 72	M72	150	260	140	260,0	60	100,0	14,000	20,000	23,30
1392 61 80	M80	170	296	160	298,0	68	112,0	20,000	28,000	34,20
1392 61 00	M100	190	330	180	330,0	75	100,0	29,000	40,000	36,40

Malzeme : C15

Opsiyonel EN10204,3.1B sertifikası sunulabilir.